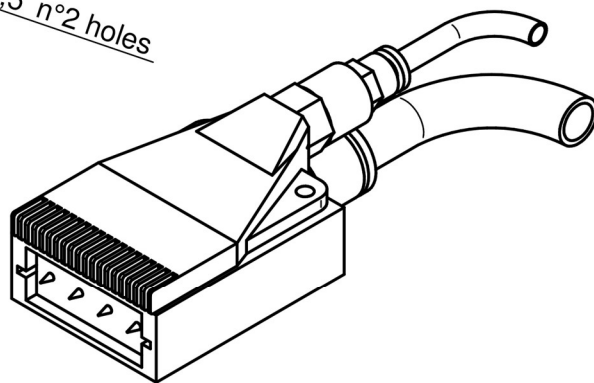
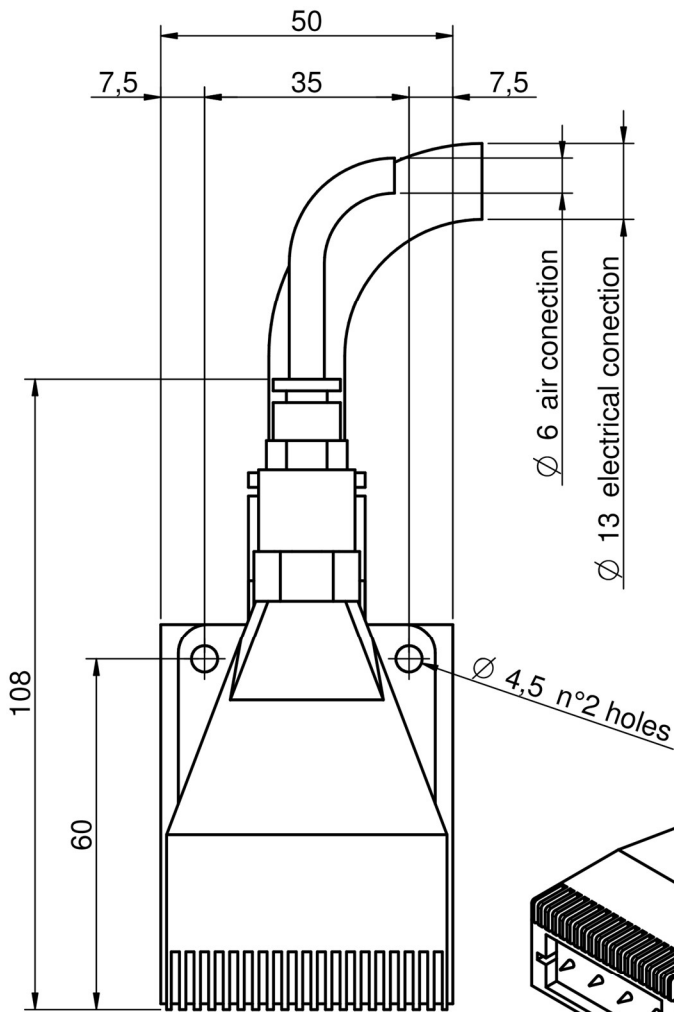
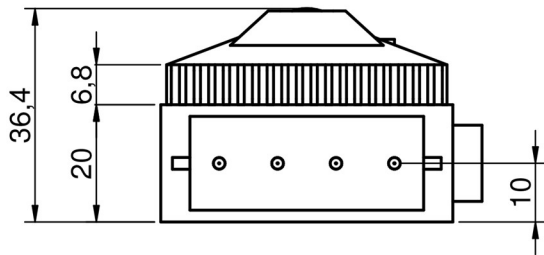



IONIZING HEAD WITH NOZZLE **IH-4-AN**



The antistatic nozzle IH-4-AN is composed of a compressed air nozzle and a small antistatic bar with 4 pins. The ionizing pins are shockless. The compressed air pick up the ions and directs them on the surface of products to be discharge. That is why it can very effectively eliminate electrostatic charges that are occurring on the surface of products also at long distance. IH-4-AN is supplied with high voltage cable, which is available in different lengths and cable must be connected to the power source.

IH-4-AN	
Working distance	50-1500 mm
Operating voltage	7000 V
Power source	AF2WR – PS1WR
Pressure	Max. 8 bar
Air consumption	Max 180 NI/min (at 6 bar)
Noise level	71 dB in 30 cm, at 4 bar
Ambient temperature	0° C - 70° C
Length of cable with high voltage	3/5/10 m, additional lengths on request



Rev.	Data	Nome		Descrizione			
Materiale		Grezzo		Trattamento		Finitura	Massa (kg) 0,0 kg
Disegnatore Studio DM	Approvato	Data 23/12/2019	Denominazione IH4-AN	Dis. n.			Rev. 00
		<small>Il presente disegno e' di proprieta' della ditta Elettromeccanica Bonato sas la divulgazione, la riproduzione o l'applicazione se non autorizzate verranno perseguite a termini di legge</small>		Tolleranze Generali UNI EN-ISO 22768-mL	Scala 1:1	Formato A4	Foglio 1 / 1
DIMENSIONI IN MM							