

IDB-S ANTISTATIC BAR



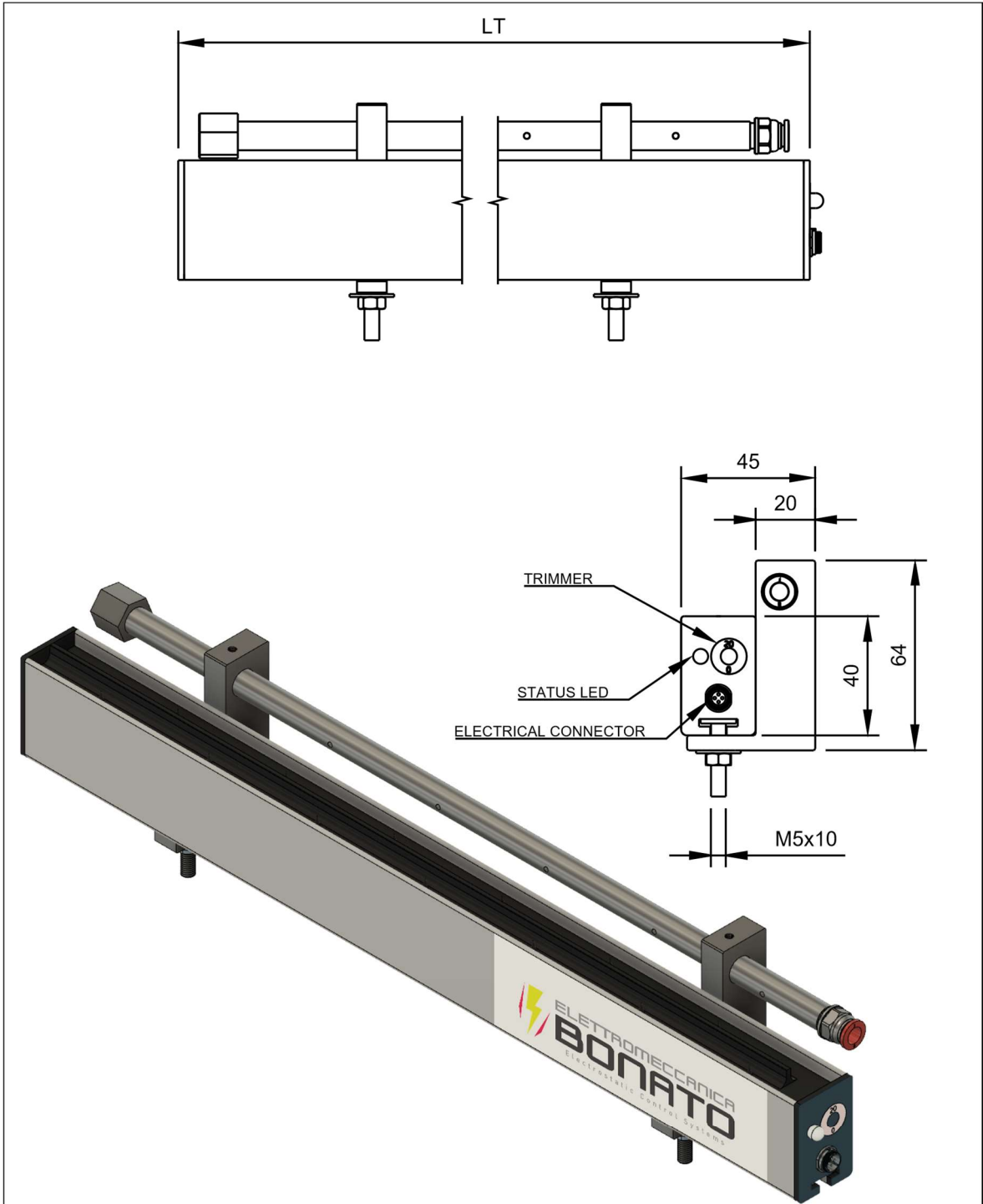
The antistatic bar IDB-S is coupled to a perforated tube fixed in correspondence of each emitter, to bring the ionized air to a greater distance.

The emitters are resistively connected to high voltage, so there are no risks for the operator in the event of accidental contact, and that also increases the bar performance.

This antistatic bar has a slit where to place the M5 screws for their fastening, so it is possible to place them anywhere on the entire bar length.

The use of IDB (shock-less) anti-static bars finds various applications, especially in the plastics, graphics, painting, wood, automotive industry, etc.

IDB-S	
Working distance	100 - 1500 mm
Operating voltage	6500 VAC
Emitters	titanium
Weight	1,4 kg / m
Working temperature	0° C - 70° C
Lengths	from 100 mm. to 6000 mm.
Pressure	maximum 8 bar adjustable
Integrated power supply	12-24 Vdc input, max. current 0,5A



Rev.	Data	Nome		Descrizione				
Materiale		Grezzo		Trattamento		Finitura	Massa (kg)	
Disegnatore	Approvato	Data	Denominazione	Dis. n.		Rev.		
Giacomo		01/02/2021	IDB-S			00		
Il presente disegno e' di proprieta' della ditta Elettromeccanica Bonato sas la divulgazione, la riproduzione o l'applicazione se non autorizzate verranno perseguite a termini di legge				Tolleranze Generali	Scala	Formato	Foglio	DIMENSIONI IN MM
				UNI EN-ISO 22768-mL	1:2	A4	1 / 1	